

# Dosing technology

## Dosing system

### preeflow<sup>®</sup> *eco-CONTROL* *EC200-B*

by ViscoTec



Backlit display

Start &amp; stop keys

Mounting clips

Aluminium rack black,  
powder-coated

#### PRODUCT DESCRIPTION

The new and innovative eco-CONTROL EC200-B, made by ViscoTec offers a wide range of applications for the precision volume dosimeter of the eco-PEN series.

#### THEORY OF FUNCTION

Microprocessor-controlled. User-friendly. Without submenus but supported by graphics. Easy connection via I/O port to PLC of external signals for automated line control. Supports the storage of a wide range of dosing programs. Monitoring of the preset primary pressure (with pressure sensor kit only) and digital display in Bar or Psi. Monitoring of fill level and motor current alarm messages (RS232 interface included).

#### FUNCTIONS / PROGRAMS

- Quantity program
- Start/stop program
- Time program
- Teach-in function (external or via GPS)
- Calibration
- Desired-volume display in Grams or Millilitres
- Dosage flow rate display in Millilitres per Minute or Grams per Minute
- Empty signal for containers (internal, external)
- Storage of PDM-supported dosing programs
- Desired-pressure and actual-pressure display in Bar or Psi
- Digital clock



Connection for dispensers  
1 and 2  
Connection for empty-signal sensor  
Connection for foot switch  
Terminal strips for interfaces  
RS232 interface

SD Card, 24 max  
Dosing programs readable and  
writable with Microsoft  
operating system

#### TECHNICAL FEATURES

Control of two precision volume dosimeters of the eco-PEN series possible with a single accessory card.

Easy and user-friendly  
menu navigation

Plastic film keyboard  
with LED status  
displays

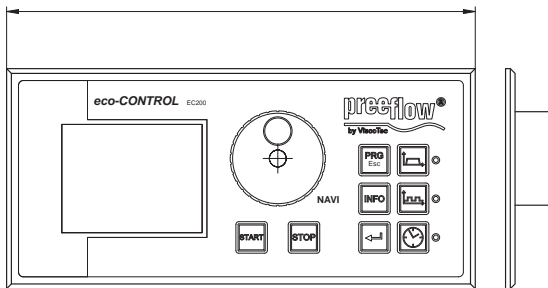
Quantity  
programStart & stop  
program

Time program

**preeflow**<sup>®</sup>  
by ViscoTec

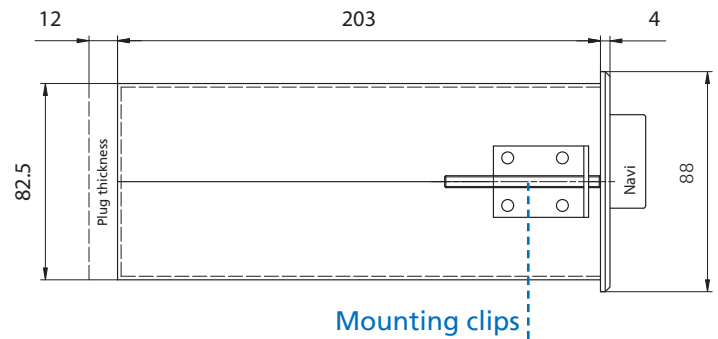
**eco-CONTROL  
EC200-K**

Fig.: Front view  
197



Switching cabinet dimensions  
(WxH) 191 x 85 mm

Fig.: Side view



Mounting clips

## TECHNICAL DATA

Dimensions (HxWxD):	88 x 240 x 197 mm
Weight:	980 Grams
Voltage:	24 V DC
AC adapter voltage:	N/A (article no. 20163)
Power rating:	100 VA / 2,7 A
Start:	Key, foot switch
External stop/start:	24-V pulse, 10-mA terminal strip; 0 to 1.5V low; 12 to 24V high
On-off switch:	No
Interface:	RS232
Compressed-air monitoring:	No, available on request
External memory:	MM C/SD-Card, 64 MB min; 24 dosing programs max;
Operating conditions:	+10°C to +40°C, air pressure 1 bar
Media temperature range:	+10°C to +40°C
Storage environment:	Dry & dust free -10°C to +40°C
CE certified:	Yes



ViscoTec Pumpen- u. Dosiertechnik GmbH  
Geschäftsfeld Komponenten & Geräte

Amperstraße 13 - D-84513 Töging a. Inn  
Tel.: +49 (0) 8631 – 9274-00  
Fax: +49 (0) 8631 – 9274-300  
info@viscotec.de  
www.viscotec.de



info@preeflow.com  
www.preeflow.com