

eco-DUO450

Spare parts

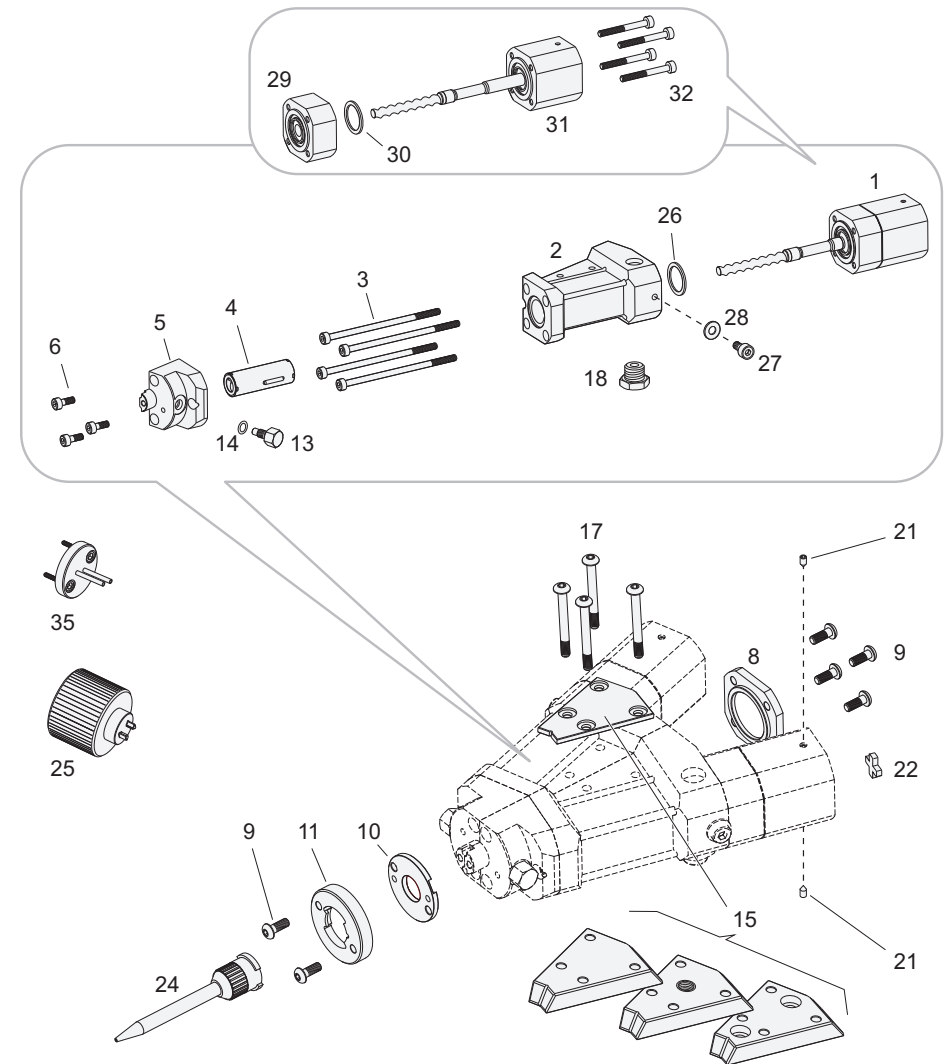
preeflow[®]
by ViscoTec

Business Unit Components & Equipment

Dosing technology

Dosing system

Item	Part No.	x Qty	Item name	Standard	Material
	20639		eco-DUO 450 complete, with drive		
	20081	2	Drive unit		
	20784	2	motor cable eco-PEN cpl.		
	20372	1	eco-DUO 450		
1	20358	2	Rotor strand seal housing		
2	20360	2	Pump housing		AlMgSi 1
3	20362	8	Screws M3 x 65	DIN 912	A2
4	20001	x 2	Stator		VisChem
5	20361	2	End piece		AlMgSi 1
6	20367	6	Screws M3 x 8 socket head	DIN 912	A2
8	20363	1	Top centring cover		AlMgSi 1
9	20487	6	Oval head screw M3 x 8	ISO 7380	A2
10	20364	1	Bottom eccentric ring		AlMgSi 1
11	20365	1	Locking plate		AlMgSi 1
13	20369	2	Adapter for pressure sensor		POM-C
14	20373	x 2	O-ring		Viton
15	20656	1	Fastening set (set, with 3 rear plates)		AlMgSi 1
17	20374	4	Oval head screw M3 x 26	ISO 7380	A2
18	20391	2	Screw plug G1/8 with O-ring		
21	20088	4	Threaded pin M3 x 5		A2
22	20050	x 2	Star-shaped coupling		Elastomer
24	20638	1	Mixer (3-piece set w. protective cap)		
25	20108	1	Assembly aid		Aluminium
26	20011	x 2	O-ring		FKM
27	20026	x 2	Allen screw M4 x 8	DIN 912	A2
28	20027	x 2	Washer A 4.3	DIN 125	PA 6
29	20485	2	Sealing set with housing		
30	20007	x 2	O-ring		FKM
31	20149	2	Bearing housing with rotor set cpl.		
32	20090	8	Allen screw M3 x 25	DIN 912	A2
33	20204	1	Screwdriver size 2.5mm (socket head)		
34	20491	1	Screwdriver size 2.0mm (socket head)		
35	20691	1	Calibration adapter		
37	20698	2	Sensor dosing pressure monitor		



x = recommended spare parts and wearing parts

✓ = order